

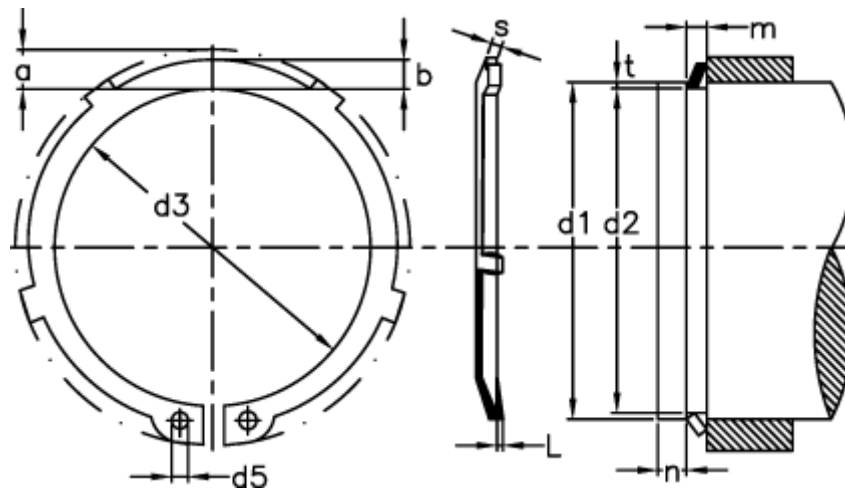
Data Sheet



Article number: 0120079

Description: Retaining ring AL 65X2,5
Spring steel

Measures



| | | | | | |
|-------------|---------|---------------|---------|-----|---------------|
| a max | = 10.2 | FL max kN | = 1.96 | s | = 2.50 |
| b | = 6.2 | FN kN | = 49.90 | tol | = -0.30 |
| C kN/mm | = 2.45 | FRg kN | = 22.70 | tol | = +0,46 -1,10 |
| d1 | = 65 | FR kN | = 135.6 | u | = 0.20 |
| d2 | = 62.0 | g | = 2.5 | | |
| d3 | = 60.8 | L min | = 1.00 | | |
| d5 min | = 3.0 | m min | = 2.65 | | |
| Description | = AL 65 | Nominal drive | = 4.5 | | |